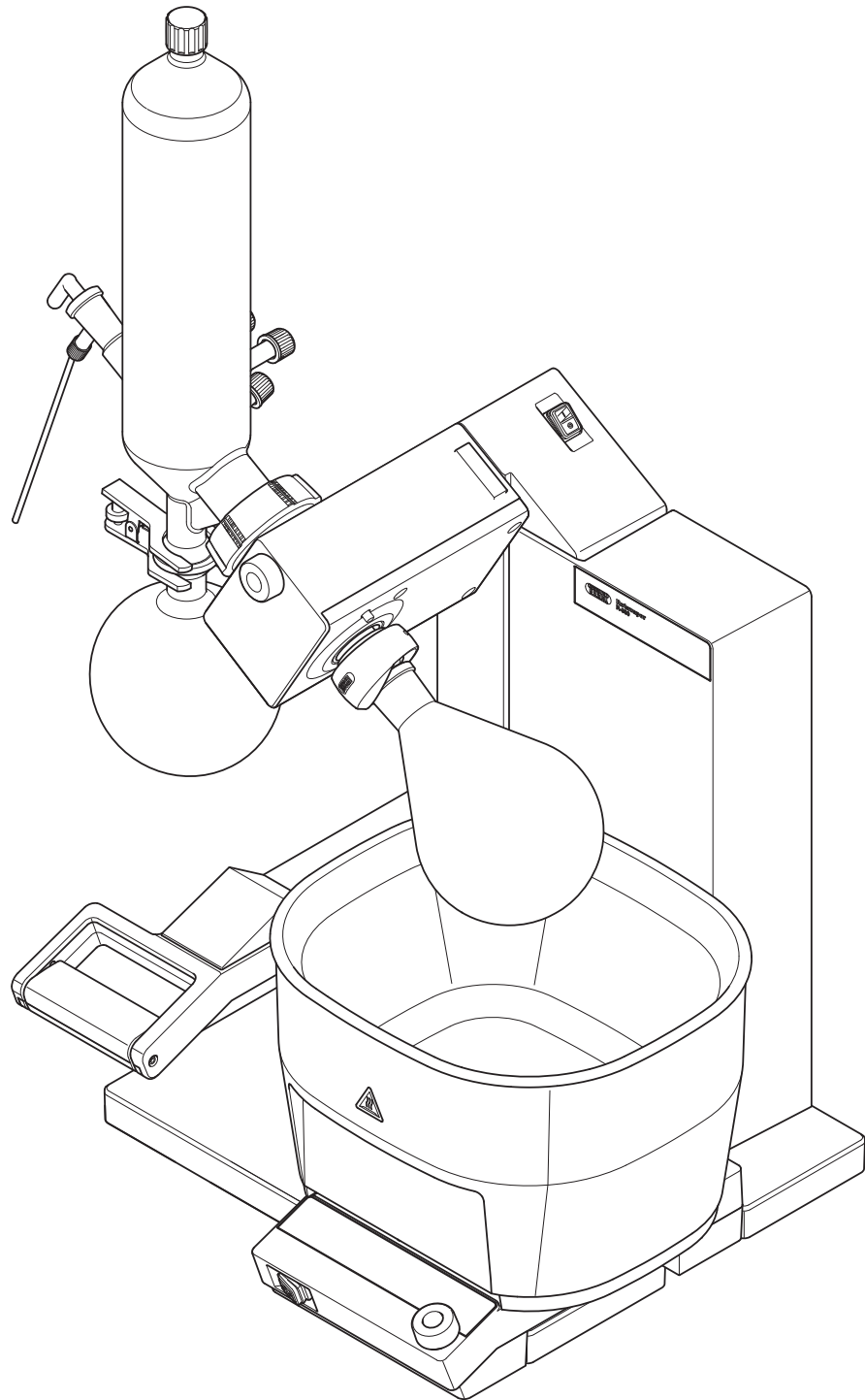




# Rotavapor® R-300

## Technical data sheet

The Rotavapor® R-300 meets the highest expectations in convenience and versatility for rotary evaporation. Its modular design allows for easy extension of the R-300 to a fully integrated system where a central interface regulates each component.



## Overview of Rotavapor® R-300 stand-alone and systems

	Rotavapor® R-300	System "Rotavapor® Dynamic"
Rotavapor® R-300 / R-300 Hand Lift**	1	1
Heating Bath B-301 / B-305**	*	1
Interface I-300 / I-300 Pro (incl. VacuBox)**	*	1
Vacuum Pump V-300	-	1
Recirculating Chiller F-305 / F-308**	-	*

\* Optional, according to order code

\*\* According to order code

### Rotavapor® R-300

The Rotavapor® R-300 represents high reliability and convenience in laboratory rotary evaporation applications. The Rotavapor® R-300 is available with either an electronic or manual lift, and can optionally include the Heating Bath B-301 or B-305 and, a glass assembly of your choice and the Interface I-300 or I-300 Pro.

All accessories and connections are included for out of the box usage.

## Order Code

Choose the configuration according to your needs:



### Lift System

- 1 Manual lift
- 2 Electronic lift

### Heating Bath

- 0 Without
- 1 B-301: 20 – 95 °C (water), max. flask size: 1 L
- 5 B-305: 20 – 220 °C, max. flask size: 5 L

### Standard Joint

- 0 Without (w/o evaporating flask, w/o vapor duct)
- 1 SJ 29/32 (incl. evaporating flask, vapor duct)
- 2 SJ 24/40 (incl. evaporating flask, vapor duct)

### Glass Assembly

- N Without (w/o receiving flask) <sup>1</sup>
- V Vertical (incl. receiving flask)
- A Diagonal (incl. receiving flask)
- C Cold trap (incl. receiving flask)
- S Vertical reflux (incl. receiving flask)

### Protective Coating

- 0 Without <sup>1</sup>
- 1 Safety coating (P+G) <sup>2</sup>

### Interface

- 0 Without
- 1 Without, with Woulff bottle
- 2 I-300, with Woulff bottle (incl. VacuBox)
- 3 I-300 Pro, with Woulff bottle (incl. VacuBox)
- 4 I-300, with valve unit (incl. VacuBox)
- 5 I-300 Pro, with valve unit (incl. VacuBox)

### Voltage

- 1 220 – 240 V
- 2 100 – 120 V

<sup>1</sup> If glass assembly E, CR, HP or BY is required, for Glass Assembly select “N”, for Standard Joint select either “1” or “2” and for Protective Coating select “0” (vapor duct and evaporating flask are included). Glass assembly E, CR, HP or BY need to be ordered separately.

<sup>2</sup> “Safety coating (P+G)” applies to condenser and receiving flask. PLASTIC+GLAS coating is sensitive to higher vapor temperatures.

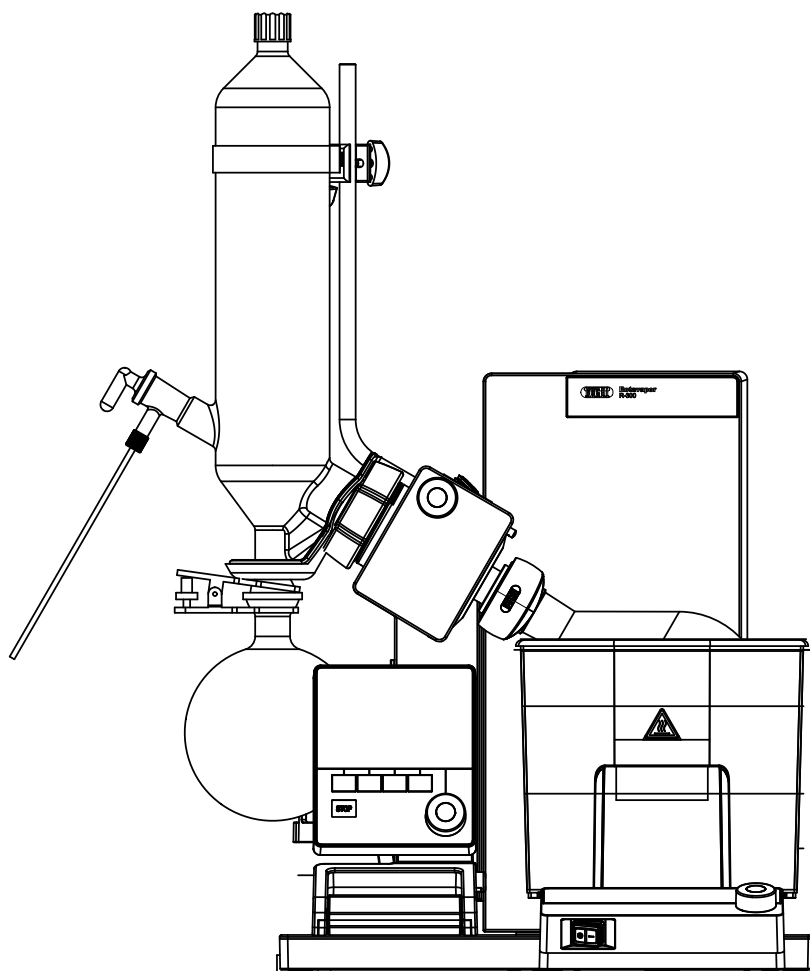
## Scope of delivery of Rotavapor® R-300

All configurations are supplied ready to use.

Components	Rotavapor® R-300
Rotavapor® R-300 / R-300 Hand Lift**	1
Heating Bath B-301 / B-305**	*
Glass assembly**	*
Vapor duct (with Combi-Clip)	**
Vacuum seal (WD26)	1
Evaporating flask (1 liter)	**
Receiving flask (1 liter)	**
Flyer "List of solvents"	1
Power cable (1 for heating bath, 1 for Rotavapor®)	**
Set of required cooling tubings	**
Interface I-300 / I-300 Pro**	*
VacuBox	*
Communications cable. BUCHI COM 6 p	*

\* Optional, according to order code

\*\* According to order code



## System “Rotavapor® Dynamic”

The rotary evaporator R-300 system meets the highest expectations in convenience and versatility. It is bundled with the Vacuum Pump V-300, controlled by the Interface I-300 / I-300 Pro and can include the Recirculating Chiller F-305 / F-308. The interface is the central control unit for all process parameters. Rotation speed, heating-, cooling-, vapor-temperature and pressure are perfectly synchronized to optimize the distillation process while increasing efficiency and convenience. All the “Rotavapor® Dynamic” systems are P+G coated. All accessories and connections are included for out of the box usage.

Choose the configuration according to your needs:

<b>1</b>	<b>1</b>	<b>S</b>	<b>R</b>	<b>3</b>	<b>0</b>	<b>0</b>							
<b>Lift System</b>													
1 Manual lift													
2 Electronic lift													
<b>Heating Bath</b>													
1 B-301: 20 – 95 °C (water), max. flask size: 1 L													
5 B-305: 20 – 220 °C, max. flask size: 5 L													
<b>Standard Joint</b>													
1 SJ 29/32 (incl. evaporating flask, vapor duct)													
2 SJ 24/40 (incl. evaporating flask, vapor duct)													
<b>Glass Assembly</b>													
V Vertical (condenser and receiving flask are P+G coated) <sup>1</sup>													
C Cold trap (condenser and receiving flask are P+G-LT coated) <sup>1 2</sup>													
<b>Interface</b>													
S I-300, with Woulff bottle (incl. VacuBox)													
P I-300 Pro, with Woulff bottle (incl. VacuBox)													
<b>Recirculating Chiller</b>													
0 Without													
1 F-305: cooling capacity 550 W at 15 °C (-10 – 25 °C)													
2 F-308: cooling capacity 900 W at 15 °C (-10 – 25 °C)													
<b>Voltage</b>													
1 220 – 240 V													
2 100 – 120 V													

<sup>1</sup> PLASTIC+GLASS is sensitive to higher vapor temperatures

<sup>2</sup> When ordering the glass assembly C, a recirculating chiller is not needed

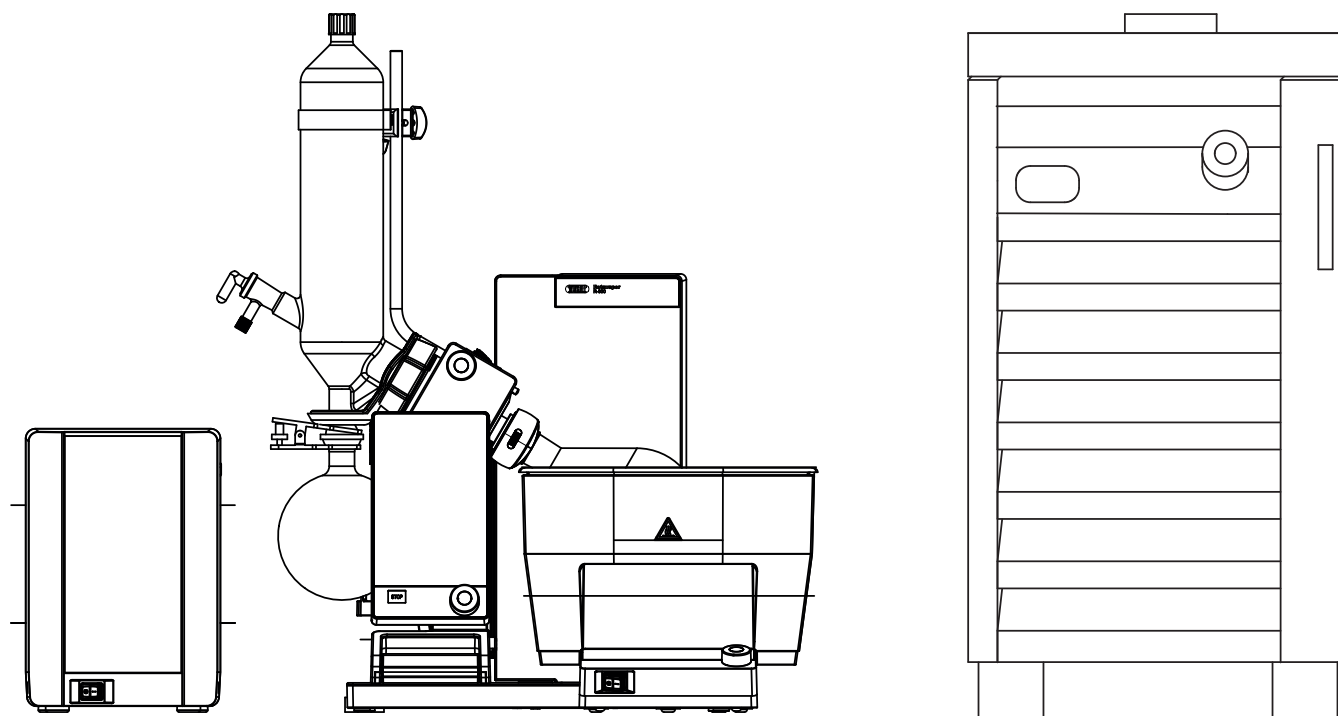
## Scope of delivery of “System Rotavapor® Dynamic”

All configurations are supplied ready to use.

Components	“System Rotavapor® Dynamic”
Rotavapor® R-300 / R-300 Hand Lift**	1
Heating Bath B-301 / B-305**	1
Glass assembly	1
Vapor duct (with Combi-Clip)	1
Vacuum seal (WD26)	1
Evaporating flask (1 liter)	1
Receiving flask (1 liter)	1
Flyer “List of solvents”	1
Set of required cooling and vacuum tubings	1
Set of required power cables	1
Interface I-300 / I-300 Pro**	1
VacuBox	1
Communications cable. BUCHI COM 6 p	*
Vacuum Pump V-300	1
Recirculating Chiller F-305 / F-308**	*
Communication cables are included	*

\* Optional, according to order code

\*\* According to order code



## Technical data

### Rotavapor® R-300

	Rotavapor® R-300
Dimensions (W x H x D) with glass apparatus V	607 x 947 x 429 mm
Dimension (B x H x T) Shipping box	700 x 605 x 590 mm
Weight	13.5 kg (electric lift) 13.0 kg (manual lift)
Power supply	100 – 240 VAC ± 10%
Power consumption	100 W
Frequency	50/60 Hz
Ingress protection rating	IP21
Immersion angle	10 – 50°
Vertical adjustment range	220 mm
Limit position detection adjustment range	170 mm (electric lift) 100 mm (manual lift)
Rotation speed range	10 – 280 rpm
Max. flask capacity	3 kg
Approval	CE/CSA

### Heating bath base, B-300

	Rotavapor® R-300
Dimensions (W x H x D)	183 x 82 x 286 mm
Weight	0.8 kg
Power supply	100 - 120 VAC ± 10% 220 - 240 VAC ± 10%
Frequency	50/60 Hz
Power consumption (with bath)	1500 W
Ingress protection rating	IP21
Approval	CE/CSA

### Heating bath

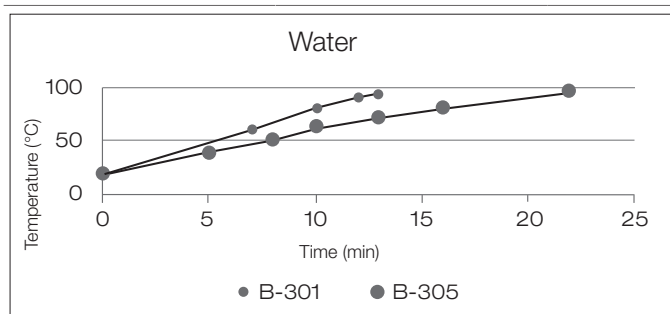
	Heating Bath B-301	Heating Bath B-305
Dimensions (W x H x D)	225 x 192 x 212 mm	307 x 202 x 275 mm
Weight	2.0 kg	4.2 kg
Power supply	100 - 120 VAC ± 10% 220 - 240 VAC ± 10%	100 - 120 VAC ± 10% 220 - 240 VAC ± 10%
Frequency	50/60 Hz	50/60 Hz
Power consumption	1250 W	1500 W
Heating power	1100 W	1300 W
Ingress protection rating	IP21	IP21

	Heating Bath B-301	Heating Bath B-305
Temperature range	up to 95 °C	up to 220 °C
Evaporating flask maximum size	1000 mL	5000 mL
Maximum bath capacity	2.3 l	5.5 l
Adjustment accuracy	± 1 °C	± 1 °C
Regulation precision	At 60 °C: ± 1 °C At 95 °C: ± 1 °C	At 60 °C: ± 1 °C At 95 °C: ± 1 °C At 180 °C: ± 3 °C At 220 °C: ± 4 °C
Heating fluid	Water	Water/Oil
Approval	CE/CSA	CE/CSA

## Heating bath performance

Heating-up time of Heating Bath B-301 and B-305.

	Water		Oil (Ucon HTF 14)	
	50 °C	95 °C	180 °C	220 °C
B-301	4 min	13 min		
B-305	8 min	22 min	27 min	37 min



$\Delta T_{70\text{ °C (water)}}$ : B-301 -> 13 min; B-305 -> 22 min

## Special features

### Rotavapor® R-300

End stop positioner	Adjustable via button within a range of 170 mm (electronic) / 100 mm (manual) Prevents glass breakage and damages to heating bath pan
Patented multifunctional Combi-Clip	Tool for evaporating flask fixation and removal, as well as vapor duct release Allows one handed flask removal
Immersion angle adjustable	Adjustable within 7-stages enables the use of different flask sizes, adjustable for individual application
Safety stop (electronic lift only)	Automatic operation stop by power failure Lifts flask automatically out of heating bath
2 lift speeds	Moves quickly until 2 cm above close to depth stop, it then moves slowly to depth stop Allows a smooth operation
Earthquake safety	Lug on backside for bath and Rotavapor® Enables fixation on lab bench
Lift height indication	Position is digitally indicated on display of heating bath Allows reproducibility of parameter for future applications



## Rotavapor® R-300

Color code	Green cables indicate BUCHI communication cable, marked with "COM" Allows a simple understanding of set up and easy play & plug
Large top hole V-condenser	Top hole with screw cap (SVL22) Allows easy cleaning of condenser
Ergonomic handle	Electronic and manual version available Allows to conveniently change the position of lift
Display	Rotation speed (actual value), lift position (actual value) and heating bath temperature (set and actual value) displayed on the Heating Bath B-300 Base. Allows user to monitor all parameters at a glance.

## Rotavapor® related patents

Name	Date of application	Number of patent
Condensate trap	2016/06/29	Pending
Rotary evaporator for use in laboratory, has base for holding heat bath, where base includes electrical two-way plug-in connection unit which is detachably connected with plug-in connection unit of heat bath	2005/09/27	DE 202005015235 U1
Height-adjustable support with holder and method of uncoupling the holder	2000/06/26	EP 1 484 112 EP 1 068 903 DE 1 068 903

## Heating Bath B-301 / B-305

Universal use (B-305 only)	Useable for multiple applications up to 220 °C Allows the use of water and oil as a heating media
Overheat protection	Mechanical and electronic over-temperature control Cuts off power when actual exceeds set temperature and by rapid temperature increase
Carry handles	Two integrated laterally ergonomically designed carry handles Allows easy carrying for re-filling or emptying the heating bath, without the risk of burn
Bath guidance	Integrated in Heating Bath B-300 Base Allows an easy positioning of bath along horizontal axe, for individual application
Temperature limit fixation (B-305 only)	Prevents accidental change of set temperature (e.g. when water is used as heating media and maximal temperature is fixed at 95 °C)
Key-button locking functions	To lock the set temperature of the heating bath Prevents accidental change of set conditions during process
Infrared communication	Transition of heating bath data to interface Allows immaculate, fast communication
Kettle connection	Cordless bath Allows easy emptying and refilling of bath without unplugging
Heating Bath B-300 Base extendable	Functional with two different heating baths Allows the use of B-301 or B-305, adequate to application
LCD-display	Digital, displays all operating parameters Indicates set and actual values of heating bath temperature, rotation speed and lift position

## Optional accessories

Protection shield	Special shaped, robust shield for user protection enables handling on evaporating flask while being protected
Top cover for heating bath	To cover B-305 when not in use to save energy and for less evaporation of heating medium, no drip off, convenient handle prevents burning skin

## Compatibility and communication requirements with R-300

Interface / Vacuum Controller	Compatibility	Communication requirements
I-300 / I-300 Pro	compatible	VacuBox 2x Communication cable. BUCHI COM 6p: 11058705 (0.3 m), 11058707 (1.8 m), 11058708 (5 m) or 11064090 (15 m)
I-100	-	-
V-850 / V-855	-	-
V-800 / V-805	-	-

## Explanation of terms

compatible	Rotavapor® and vacuum controller/interface communicate with each other.
-	Connection not possible

A VacuBox is included when ordering Rotavapor® R-300 with an Interface I-300 or Interface I-300 Pro compatibility pack. Additional features for Rotavapor® R-300 are listed as follows.

## Feature comparison

Features in combination with R-300	I-300 Pro	I-300	I-100	Old vacuum controllers (V-850 / V-855, V-800 / V-805)
Live data charting	●			
Digitally controlled lift position	●			
Data recording	●			
Guided operation (methods)	●			
Automatic ON/OFF rotation speed	●	●		
Automatic and manual up/down lift	●	●		
Display and setting rotation speed	●	●		
Display and setting bath temperature	●	●		
Dynamic distillation (only when connected with Vacuum Pump and Recirculating Chiller)	●	●		
Remote monitoring with Rotavapor App	●	●		
ECO mode (shuts down Recirculating Chiller and Heating Bath)	●	●		
Automatic foam detection	●	●		
Management from a distance	●	●		

## Exemplary solutions

The following items are listed on two solutions, shown in the “Laboratory Rotary Evaporation Solutions” brochure.

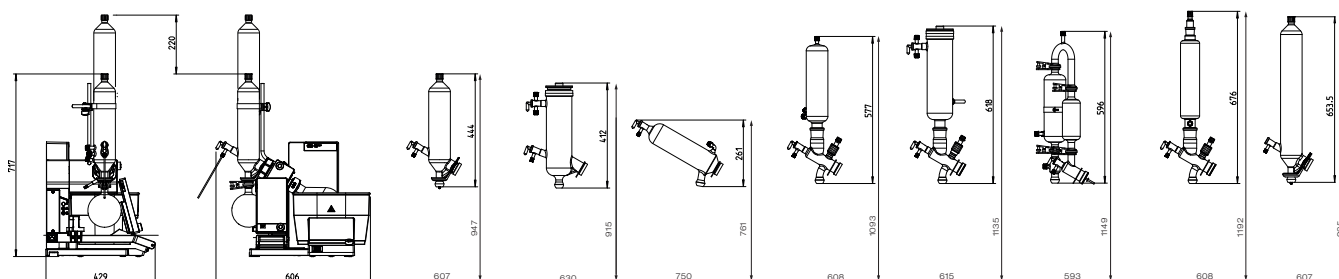
Solution “Rotavapor® Dynamic Pro”	Order no.
Rotavapor® R-300, condenser V, SJ 29/32, P+G safety coating, Heating Bath B-305, Interface I-300 Pro, VacuBox, Vacuum Pump V-300, Recirculating Chiller F-308 (220 – 240 V version)	11SR300251VP21
Foam sensor. Incl. holder Prevents sample from foaming into the condenser by aeration of system temporarily. Meant to be used with the Interface I-300 / I-300 Pro.	11061167
AutoDest sensor. Incl. cap nut, seal GL14 For automatic distillation. Measures temperature of cooling media and the vapor temperature. Vacuum is adjusted according to cooling capacity of condenser. Meant to be used with the Interface I-300 / I-300 Pro and glass assembly V, HP or S.	11059225
Level sensor. Incl. O-ring, cable, rubber band Prevents an overflow in the receiving flask of condenser/secondary condenser. Placed on receiving flask. Meant to be used with the Interface I-300 / I-300 Pro.	11060954

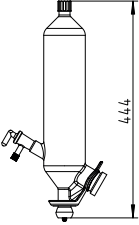
Solution “Rotavapor® Dynamic”	Order no.
Rotavapor® R-300, condenser V, SJ 29/32, P+G safety coating, Heating Bath B-301, Interface I-300, VacuBox, Vacuum Pump V-300 (220 – 240 V version)	11SR300211VS01
Protection shield. Operator protection for heating bath For Heating Bath B-301 and B-305.	11061402

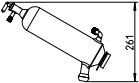
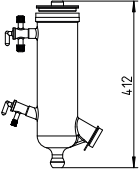
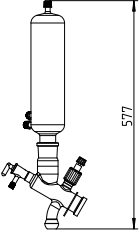
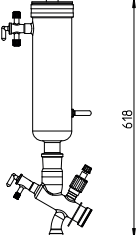
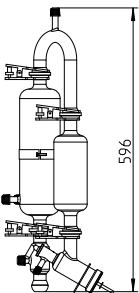
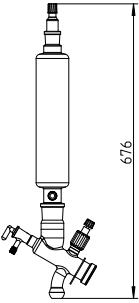
## Accessories – Rotavapor® glass assemblies

The following items have to be purchased in addition to a system that is ordered without glass.

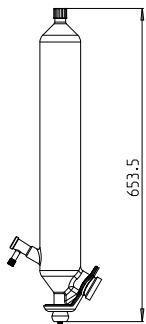
All glass assemblies include a 1 liter receiving flask (corresponding to order code - either without coating, with P+G or P+G-LT), required hoses and a ball joint clamp. Evaporating flask, vacuum seal, vapor duct (WD26) and condenser holder are not included. All condensers allow feeding of the evaporating flask via stopcock.



Name	Type / Application	Cooling Surface area (max.)	Order no.
Vertical: V	Vertical condenser	1500 cm <sup>2</sup>	11062432
	<ul style="list-style-type: none"> <li>For standard applications, the most common condenser</li> <li>Connection for vapor temperature sensor</li> <li>Automatic distillation with Interface I-300 / I-300 Pro possible</li> <li>Use of foam sensor possible</li> </ul>		11062433 P+G

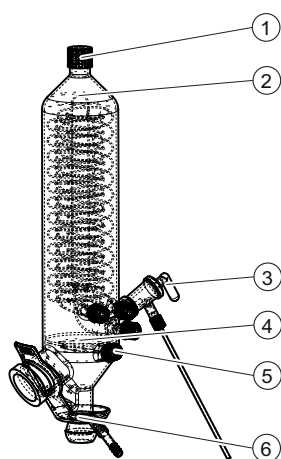
Name	Type / Application	Cooling Surface area (max.)	Order no.
Diagonal: A 	Diagonal condenser <ul style="list-style-type: none"> <li>For standard applications where height is limited</li> </ul>	1500 cm <sup>2</sup>	048168 048169 P+G
Cold trap: C 	Dry ice condenser <ul style="list-style-type: none"> <li>For distillation of solvents with low boiling points</li> <li>Maximum condensation of vapors</li> <li>No cooling water needed, but i.e. dry ice or ice</li> <li>Use of foam sensor possible</li> </ul>	500 cm <sup>2</sup>	040640 040642 P+G
Reflux: S 	Vertical reflux condenser with shut-off valve <ul style="list-style-type: none"> <li>For combining reflux reaction and distillation</li> <li>Connection for vapor temperature sensor</li> <li>Automatic distillation with Interface I-300 / I-300 Pro possible</li> <li>Use of foam sensor not possible</li> </ul>	1500 cm <sup>2</sup>	048290 048291 P+G-LT
Cold trap reflux: CR 	Dry ice condenser with shut-off valve <ul style="list-style-type: none"> <li>For combining reflux reaction and distillation</li> <li>For distillation of solvents with low boiling points</li> <li>Maximum condensation of vapors</li> <li>Connection for vapor temperature sensor</li> <li>No cooling water needed, but i.e. dry ice or ice</li> <li>Use of foam sensor not possible</li> </ul>	500 cm <sup>2</sup>	048292 048293 P+G-LT
Expansion: E 	Descending condenser with expansion vessel <ul style="list-style-type: none"> <li>Ideal for distillations exhibiting foaming and “bumping” tendencies/products</li> <li>Connection for vapor temperature sensor</li> <li>Automatic distillation with Interface I-300 / I-300 Pro possible</li> </ul>	1500 cm <sup>2</sup>	11061112 11061113 P+G
Double jacket: BY 	Vertical reflux condenser with double jacket for intensive condensation and with shut-off valve <ul style="list-style-type: none"> <li>Vertical intensive condenser with double jacket and distributor for particularly efficient condensation</li> <li>For combining reflux reaction and distillation</li> <li>For particularly efficient and intensive condensation</li> <li>Connection for vapor temperature sensor</li> <li>With an additional SJ 29/32 joint on top for flexible expansion</li> <li>Use of foam sensor not possible</li> </ul>	1300 cm <sup>2</sup>	048176 048297 P+G

Name	Type / Application	Cooling Surface area (max.)	Order no.
High performance: HP	High performance condenser for increased distillation rate	3000 cm <sup>2</sup>	11066561
	<ul style="list-style-type: none"> <li>• Double cooling capacity as standard V condenser</li> <li>• Enables distillation at lower pressure values and higher temperature differences</li> <li>• Reduces emissions of solvents</li> <li>• Reduces the wear of vacuum pump parts</li> </ul> Compatible with: <ul style="list-style-type: none"> <li>• AutoDest sensor</li> <li>• Foam sensor</li> <li>• Vapor temperature sensor</li> <li>• Condensate trap</li> </ul>		11066562 P+G



For more information concerning the glass assemblies please check the “Laboratory Evaporation Glassware” brochure.

### Features of the glass assemblies



- 1 Top inlet  
For easy cleaning of the condenser
- 2 Inner glass tube  
For reduced chimney effect upon vacuum applications
- 3 Stopcock (available for R-300, R-215, R-210, R-100, R-3; see FAQ)  
Used for aeration and feeding (by using the feeding hose)
- 4 Inner glass plate  
Prevention of solvent back flow
- 5 Connector for sensor  
For measurement of vapor temperature during distillation
- 6 Condensate trap

Characteristics	V	C	A	CR	S	E	BY	HP
Top inlet	• (SVL22; extra large)		•		•	•	•	• (SVL22; extra large)
Inner glass tube	•				•			•
Flask feeding via stopcock possible	•	•	•	•	•	•	•	•
Inner glass plate	•							•
Connector for vapor temperature sensor	•				•	•	•	•
Condenser holder	○ <sup>1</sup>	○ <sup>1</sup>	○ <sup>1</sup>	○ <sup>1</sup>	○ <sup>1</sup>	•	○ <sup>1</sup>	• (048180)
Reflux possibility (part included)				•	•		•	
Condensate trap	•							•

○ is optional

• is included

<sup>1</sup> Condenser holder cpl. (048180) is recommended

## Accessories

### Heating baths

	Order no.
Heating Bath B-301, 110V, not incl. Base B-300 For up to 1 Liter evaporating flasks. For temperatures up to 95°C. Meant to be used with water as heating media.	11B301002
Heating Bath B-301, 230V, not incl. Base B-300 For up to 1 Liter evaporating flasks. For temperatures up to 95 °C. Meant to be used with water as heating media.	11B301001
Heating Bath B-301, 110V, incl. Base B-300 For up to 1 Liter evaporating flasks. For temperatures up to 95 °C. Meant to be used with water as heating media.	11B301102
Heating Bath B-301, 230V, incl. Base B-300 For up to 1 Liter evaporating flasks. For temperatures up to 95 °C. Meant to be used with water as heating media.	11B301101
Heating Bath B-305, 110V, not incl. Base B-300, 110V For up to 5 Liter evaporating flasks. For temperatures up to 220 °C. Meant to be used with water or oil as heating media.	11B305002
Heating Bath B-305, 230V, not incl. Base B-300 For up to 5 Liter evaporating flasks. For temperatures up to 220 °C. Meant to be used with water or oil as heating media.	11B305001
Heating Bath B-305, 110V, incl. Base B-300 For up to 5 Liter evaporating flasks. For temperatures up to 220 °C. Meant to be used with water or oil as heating media.	11B305102
Heating Bath B-305, 230V, incl. Base B-300 For up to 5 Liter evaporating flasks. For temperatures up to 220 °C. Meant to be used with water or oil as heating media.	11B305101
Heating Bath B-305, 110V, for R-21x, incl. Base For up to 5 Liter evaporating flasks. For temperatures up to 220 °C. Meant to be used with water or oil as heating media. Included: Adapter to Rotavapor R-21x.	11B305112
Heating Bath B-305, 230V, for R-21x, incl. Base For up to 5 Liter evaporating flasks. For temperatures up to 220 °C. Meant to be used with water or oil as heating media. Included: Adapter to Rotavapor R-21x.	11B305111

### Heating bath accessories

	Order no.
Adapter B-300. For Heating Bath B-305 Required when Heating Bath B-305 is used with a Rotavapor R-210, R-215 or R II. Not compatible with Heating Bath B-301.	11061317
Heating bath balls. 450pcs, PP, Ø10 mm To reduce energy consumption of heating bath and for less evaporation of the heating medium. For temperatures up to 100 °C.	036405
Lid. For Heating Bath B-305 To save energy and to minimize loss of water when heating bath is not in use.	11059500

	Order no.
Protection shield. Operator protection for heating bath For Heating Bath B-301 and B-305.	11061402
Splash shield. Operator protection against splashes. With opening on the front side for easy handling. Material: 6 mm thick polycarbonate.	11064768
Protective cover. For Heating Bath B-300 base Used for protection of the heating bath display.	11064111

## Tubing

	Order no.
Tubing. FEP, Ø6/8 mm, transparent, per m Use: Vacuum, cooling media.	027900
Insulation tubing. Synthetic rubber, Ø10/23 mm, black, per m For insulation of cooling media. Meant to be used with silicone tubing (004134).	028696
Tubing. Natural rubber, Ø6/16 mm, red, per m Use: Vacuum.	017622
Tubing. Nylflex, PVC-P, Ø8/14 mm, transparent, per m Use: Vacuum, cooling media, feeding (industrial Rotavapor®).	004113
Tubing. PTFE, Ø4.7/5.5 mm, transparent, 330 mm Use: To introduce solvent into evaporating flask during distillation.	000646
Tubing. PTFE, Ø4.7/5.5 mm, transparent, 460 mm Use: To introduce solvent into evaporating flask during distillation.	000643
Tubing. PTFE, Ø8/10 mm, white, per m Use: Vacuum, feeding (industrial Rotavapor®).	027277
Tubing. Silicone, Ø6/9 mm, transparent, per m Use: Cooling media.	004133
Tubing. Synthetic rubber, Ø6/13 mm, black, per m Use: Vacuum.	11063244

## Further accessories

	Order no.
AutoDest sensor. Incl. cap nut, seal GL14 For automatic distillation. Measures temperature of cooling media and the vapor temperature. Vacuum is adjusted according to cooling capacity of condenser. Meant to be used with the Interface I-300 / I-300 Pro and glass assembly V, HP or S.	11059225
Combi-Clip, set. 50 pcs, not incl. vapor duct Patented Combi-Clip with snap lock mechanism to fasten evaporating flask on vapor duct.	11063308
Condensate trap. Condenser V and HP, grey, TPE, hose connector Ø8mm Collects and drains condensate which may accumulate on the condenser.	11062955
Condensate trap. Condenser V and HP, green, TPE, hose connector Ø8mm Collects and drains condensate which may accumulate on the condenser.	11061985

	Order no.
Cooling water valve. 24VAC Valve opens cooling water feed during distillation. Meant to be used with a vacuum controller/interface.	031356
Extraction thimbles, set. 25 pcs, 200 mL, cellulose For Soxhlet extraction unit.	018106
Flask holder. EPDM, slip free Holder for round-bottom flasks (50-5000 mL).	048618
Flask holders, set. 5pcs., EPDM, slip free Holder for round-bottom flasks (50-5000 mL).	11059916
Foam sensor. Incl. holder Prevents sample from foaming into the condenser by aeration of system temporarily. Meant to be used with the Interface I-300 / I-300 Pro.	11061167
Holder. For extraction unit, steel, 750 mm, Ø12 mm	011904
IQ/OQ. R-300 en Official BUCHI documents.	11063608
Lab grease. Glisseal 40 (60 g) To grease joints in order to increase tightness of system.	048197
Level sensor. Incl. O-ring, cable, rubber band Prevents an overflow in the receiving flask of condenser/secondary condenser. Placed on receiving flask. Meant to be used with the Interface I-300 / I-300 Pro.	11060954
Repeating OQ. R-300 en Official BUCHI documents.	11063609
Power plug fixation. For R-300 Used to fixate the power plug into Rotavapor.	11063710
Set earthquake fastener. Lug for backside To fasten device on lab bench.	11062386
Thread adapter. For vacuum connection, SVL22/GL14 Use: To switch vacuum connection from a Rotavapor® to Syncore® vacuum distributor (037686).	040871
Vacuum connection. Incl. drain valve, hose barb Ø8mm, BJ35/20 Connection piece for aeration of the system, placed between condenser and receiving flask.	001006
Vacuum valve. Magnetic valve, 24V/4W, Mini-DIN, 1.5 m Flow valve without flask, meant to be used with a centralized vacuum source or an unregulated vacuum pump. Meant to be used with the Interface I-300 / I-300 Pro.	11060706
Vapor temperature sensor. Incl. cap nut, seal GL14 Measures the vapor temperature inside the system. Meant to be used with the Interface I-300 / I-300 Pro.	11060707
Water jet pump. Plastic Used when tap water is used to generate vacuum.	002913
Water jet pump, B-767: Magnetic valve (2pcs), FFKM, 24V Used when tap water is used to generate vacuum. Inclusive: Cooling water valve. Meant to be used with a vacuum controller/interface.	031357
Water regulation nozzle. Flow regulator, incl. hose clamp, sieve Used when tap water is used to generate vacuum. Reduces water consumption.	011606



	Order no.
Woulff bottle. 125 mL, P+G, incl. holder For trapping particles and droplets and for pressure equalization.	11059905
Woulff bottle. 3-neck, 800 mL, P+G. For trapping particles and droplets and for pressure equalization.	025519

## Accessories for glass assemblies

	Order no.
Condenser holder. For glass assembly V/HP/C/S/CR/BY Content: Holding rod, rubber band, cross sleeve.	048180
Condenser holder. For Glass assembly E Content: Holding rod, bride, cross sleeve.	048181
Extraction unit Soxhlet. 200 mL, incl. extraction part, reduction part For Soxhlet extraction applications. Meant to be used with glass assembly S.	011744
Extraction unit Soxhlet. 500 mL, incl. extraction part, reduction part For Soxhlet extraction applications. Meant to be used with glass assembly S.	011745

## Wearing parts

### Vacuum seal

	Order no.
Vacuum gasket. WD26, PTFE, FDA-compliant	048021

### Seals

	Order no.
For cap nut GL14 to FEP, EPDM	038225
Set. 10pcs, for hose barbs GL14, EPDM, black	040029
Set. 10pcs, for hose barbs GL14, FPM, green	040040
Set. 20pcs, for hose barbs GL14, silicone, red	040023

### Hose barbs

	Order no.
Bent, GL14, incl. silicone seal	018916
Set. 2pcs, bent (1), straight (1), GL14, silicone seal Content: Hose barbs, cap nuts, seals.	041939
Set. 3pcs, bent, GL14, silicone seal Content: Hose barbs, seals.	041987
Set. 4pcs, bent GL14, silicone seal Content: Hose barbs, cap nuts, seals.	037287
Set. 4pcs, bent, GL14, EPDM seal Content: Hose barbs, cap nuts, seals.	043129
Set. 4pcs, bent, GL14, FPM seal Content: Hose barbs, cap nuts, seals.	040295
Set. 4pcs, straight, GL14, EPDM seal Content: Hose barbs, cap nuts, seals.	043128

	Order no.
Set. 4pcs, straight, GL14, FPM seal Content: Hose barbs, cap nuts, seals.	040296
Set. 4pcs, straight, GL14, silicone seal Content: Hose barbs, seals.	037642
Set. 6pcs, bent (4), straight (2), GL14, silicone seal Content: Hose barbs, cap nuts, seals.	038000

## Rotavapor® glass accessories – Vapor ducts

Vapor ducts compatible with WD26 (incl. Combi-Clip)\*

SJ	29/32	24/40	29/42	24/29	34/35
For glass assembly V, C, S, E, CR, BY, HP	11062186	11062187	11062464	11062909	
For glass assembly A	11062267	11062268	11062269		048167
For glass assembly C, V, HP (analytical)	11062465	11062466	11062467		
For glass assembly C, V, HP (KD22)	11062910				
Vapor duct with frit, Ø 26mm, SJ29/32, incl. Combi-Clip For powder drying. To prevent powder from getting into the condenser. For glass assembly V, C, S, E, BY, HP and CR.	11057297				
For high temperatures 29/32, short cpl. Content: Combi clip, vapor duct HT, ring NS 34/32 on 30/32	11061837				

\*Single Combi-Clip: 11059770

## Additional glassware

Additional glassware like evaporating flasks, drying flasks, receiving flasks, beaker flasks, Reitmeyer adapters (bump traps) and distillation spiders can be found in the Laboratory Evaporation Glassware brochure.